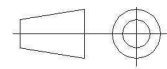
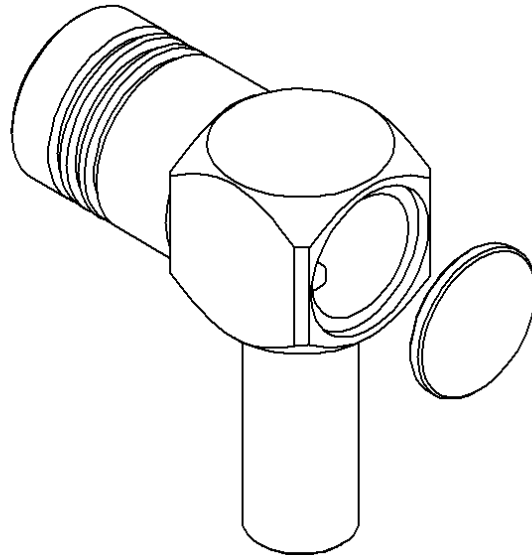
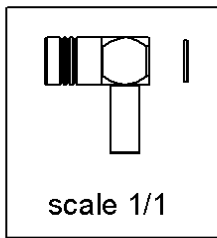
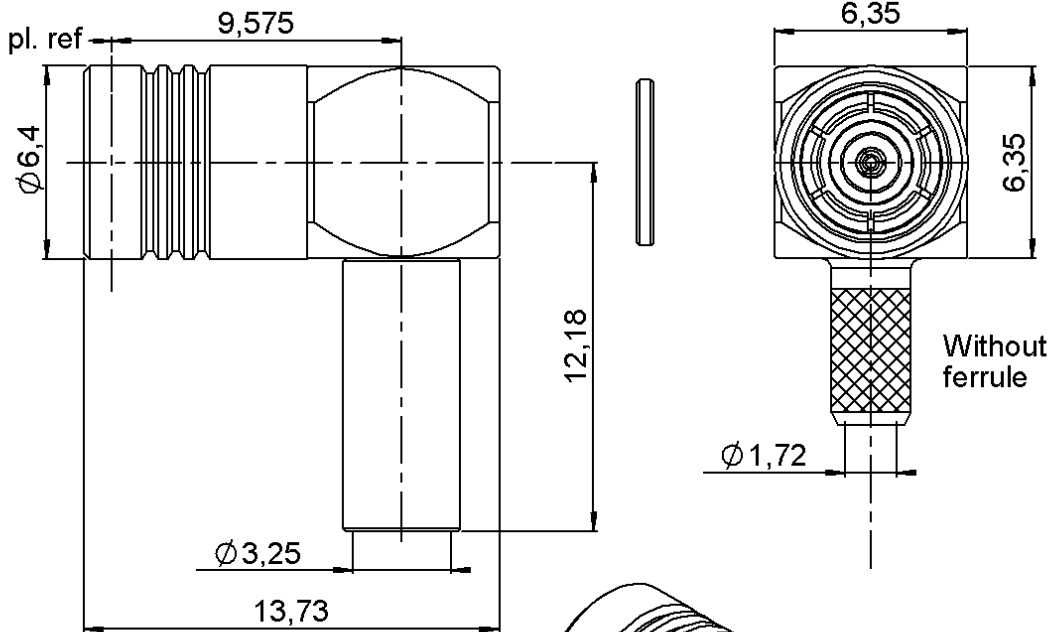


NON MAGNETIC RIGHT ANGLE PLUG CRIMP TYPE

R114.186.197

CABLE 2.6/50+75 S

Series : **SMB**



All dimensions are in mm.

COMPONENTS	MATERIALS	PLATING (µm)
BODY	BRONZE	BBR 2
CENTER CONTACT	BERYLLIUM COPPER	GOLD 1.3 OVER COPPER 2.5
OUTER CONTACT	BRONZE	BBR 2
INSULATOR	PTFE	
GASKET	-	
OTHERS PARTS	BERYLLIUM COPPER	BBR 2
-	-	-
-	-	-

Issue : 0843 C

In the effort to improve our products, we reserve the right to make changes judged to be necessary.



NON MAGNETIC RIGHT ANGLE PLUG CRIMP TYPE

R114.186.197

CABLE 2.6/50+75 S

Series : **SMB**

PACKAGING

Standard	Unit	Other
100	'W' option	Contact us

SPECIFICATION

ELECTRICAL CHARACTERISTICS

Impedance	50	Ω
Frequency	0-4	GHz
VSWR	1.05 + 0,0100	x F(GHz) Maxi
Insertion loss	0.5	\sqrt{F} (GHz) dB Maxi
RF leakage	- (57)	- F(GHz)) dB Maxi
Voltage rating	335	Veff Maxi
Dielectric withstanding voltage	1000	Veff mini
Insulation resistance	1000	M Ω mini

CABLE ASSEMBLY

Stripping	a	b	c	d	e	f
mm	1,50	5,40	9,60	0,00	8,10	0,00

Assembly instruction : **CRIMP 05**

Recommended cable(s)
NON MAGNETIC CABLE
 RG 179 AMAG
 RG 316 AMAG

Characteristics indicated on this data sheet are those that can be achieved with the highest performance cable. Intrinsic limitations of the cable may diminish the performance of the assembly

Cable retention

- pull off **110** N mini
 - torque **NA** N.cm

MECHANICAL CHARACTERISTICS

Center contact retention		
Axial force – Mating end	10	N mini
Axial force – Opposite end	10	N mini
Torque	NA	N.cm mini

TOOLING

Part Number	Description	Hexagon
.	.	.
R282.211.000	CRIMPING TOOL	3.25
R282.235.003	CRIMPING DIES M22520/5-03	3.25
R282.293.000	CRIMPING TOOL M22520/5-01	

Recommended torque		
Mating	NA	N.cm
Panel nut	NA	N.cm
Clamp nut	NA	N.cm
A/F clamp nut	0,0000	mm

Mating life	500	Cycles mini
Weight	3,1100	g

OTHER CHARACTERISTICS

Distortion of the magnetic field
 <0.5 ppm at 10mm at Bo = 1.5 Tesla

ENVIRONMENTAL

Operating temperature	-65/+165	$^{\circ}$ C
Hermetic seal	NA	Atm.cm3/s
Panel leakage	NA	

Issue : **0843 C**

In the effort to improve our products, we reserve the right to make changes judged to be necessary.

